

Service Manual

Variants:

2131721009
2131821009
2131821129

2161814009

2171721009
2171821009

for seca 213 / 216 / 217

Service Manual Number

17-05-01-361-

Valid as of: 20.10.2010

Description:

Mod. 213/217 Stadiometer, mechanical

Mod. 216 Mesasuring rod mechanical

Content:

| | |
|------------------------------|--------------|
| Spare parts | 213 1721009 |
| Spare parts | 213 1821009 |
| Spare parts | 213 1821129 |
| Spare parts drawing mod. 213 | 30-19-17-256 |
| | |
| Spare parts | 216 1814009 |
| Spare parts drawing mod. 216 | 30-19-17-257 |
| | |
| Spare parts | 217 1721009 |
| Spare parts | 217 1821009 |
| Spare parts drawing mod. 217 | 30-19-17-258 |

Spare parts 213 17 21 009

updated 10.10 valid to SN:

acc to drawing 30-19-17-256

| Pos. | Article | Name of item | Price-stage |
|-------------|------------------|--------------------------------------|--------------------|
| 1 | 19-17-02-016-509 | Slider compl. | 25 |
| 2 | 19-17-03-036-009 | Spacer complete | 12 |
| 3 | 19-17-01-065-509 | Measuring rod compl. cm (4 elements) | 30 |
| 4 | 19-17-05-224-009 | base with treat compl mod. 213 | 20 |
| | 18-01-01-687-009 | Carton | 06 |

Spare Parts**213 18 21 009**

updated 10.10 valid to SN:

acc to drawing 30-19-17-256

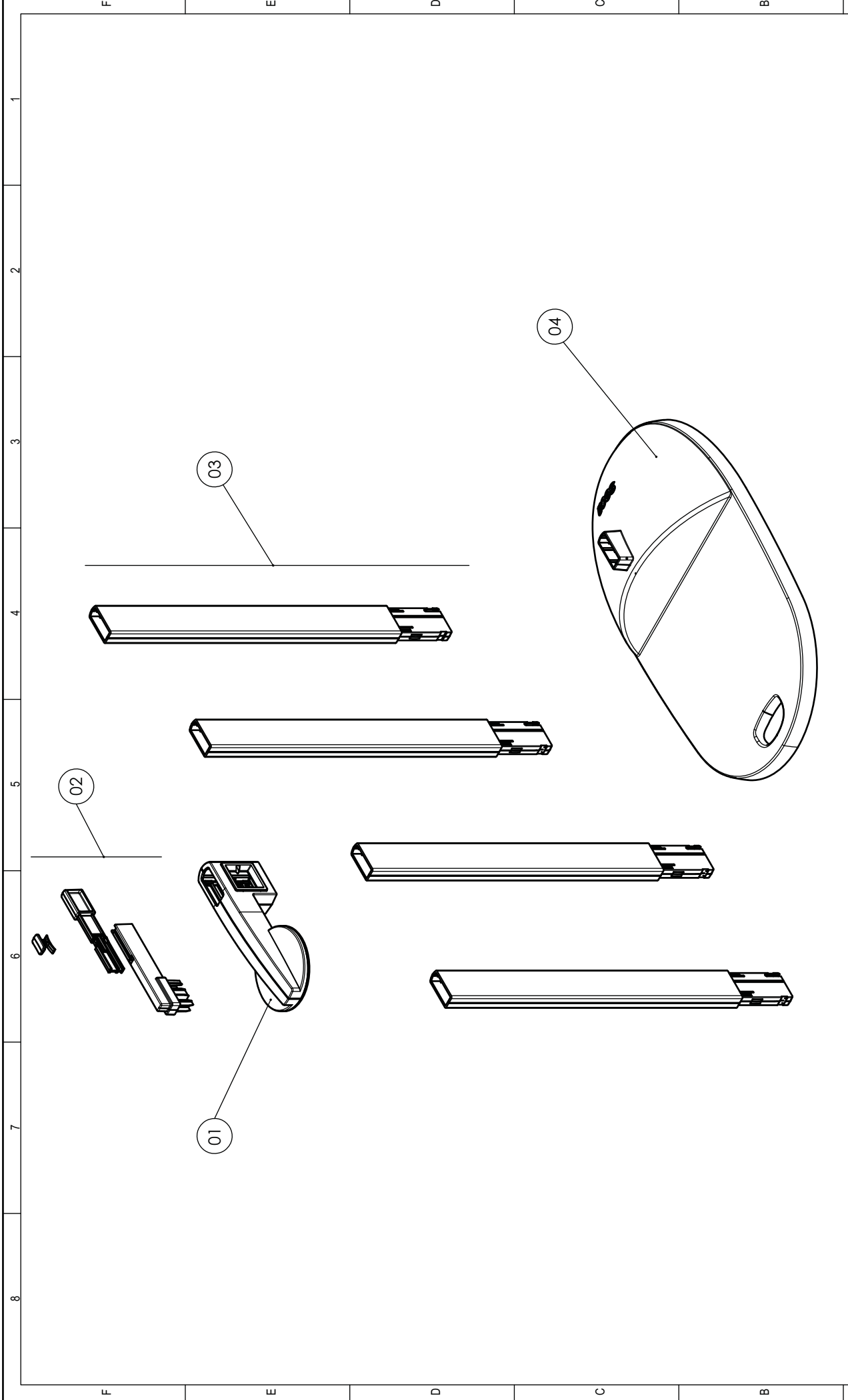
| Pos. | Article | Name of item | Price-stage |
|-------------|------------------|--|--------------------|
| 1 | 19-17-02-016-509 | Slider compl. | 25 |
| 2 | 19-17-03-036-009 | Spacer complete | 12 |
| 3 | 19-17-01-066-509 | Measuring rod compl cm/inch (4 elements) | 30 |
| 4 | 19-17-05-224-009 | Base with treat compl mod. 213 | 20 |
| | 18-01-01-687-009 | Carton | 06 |

Ersatzteile**213 18 21129**

updated 10.10 valid to SN:

acc. to drawing 30-19-17-256

| Pos. | Article | Name of item | price-stage |
|-------------|------------------|--|--------------------|
| 1 | 19-17-02-016-509 | Slider compl. | 25 |
| 2 | 19-17-03-036-009 | Spacer complete | 12 |
| 3 | 19-17-01-066-509 | Measuring rod compl cm/inch (4 elements) | 30 |
| 4 | 19-17-05-224-009 | Base with treat compl mod. 213 | 20 |
| | 18-01-01-687-009 | Carton | 06 |



| | | | | | |
|--------------------------------------|--|--|--|---------------------------------|--|
| Datum/Name: Änd./Mittel./ CHANGE: | | Ersellt / DRAWN / Geprüft / APPROVED Ver.: | | PROJECTION | |
| Index / REVISION: | | 19.10.2010 | | 1st | |
| secas HAMBURG | | Reinhold | | | |
| Maßstab / SCALE: | | Benennung / TITLE: | | Nr. / NO.: | |
| 1:5 | | Ersatzteilzeichnung Mod. 213 Spare parts drawing mod. 213 | | 30-19-17-256 Blatt/SHEET 1/1 | |
| Werkstoff / MATERIAL: | | <small>REARCHIV_DBWORKS\Fmms30-19-30-19-17-256</small> | | | |

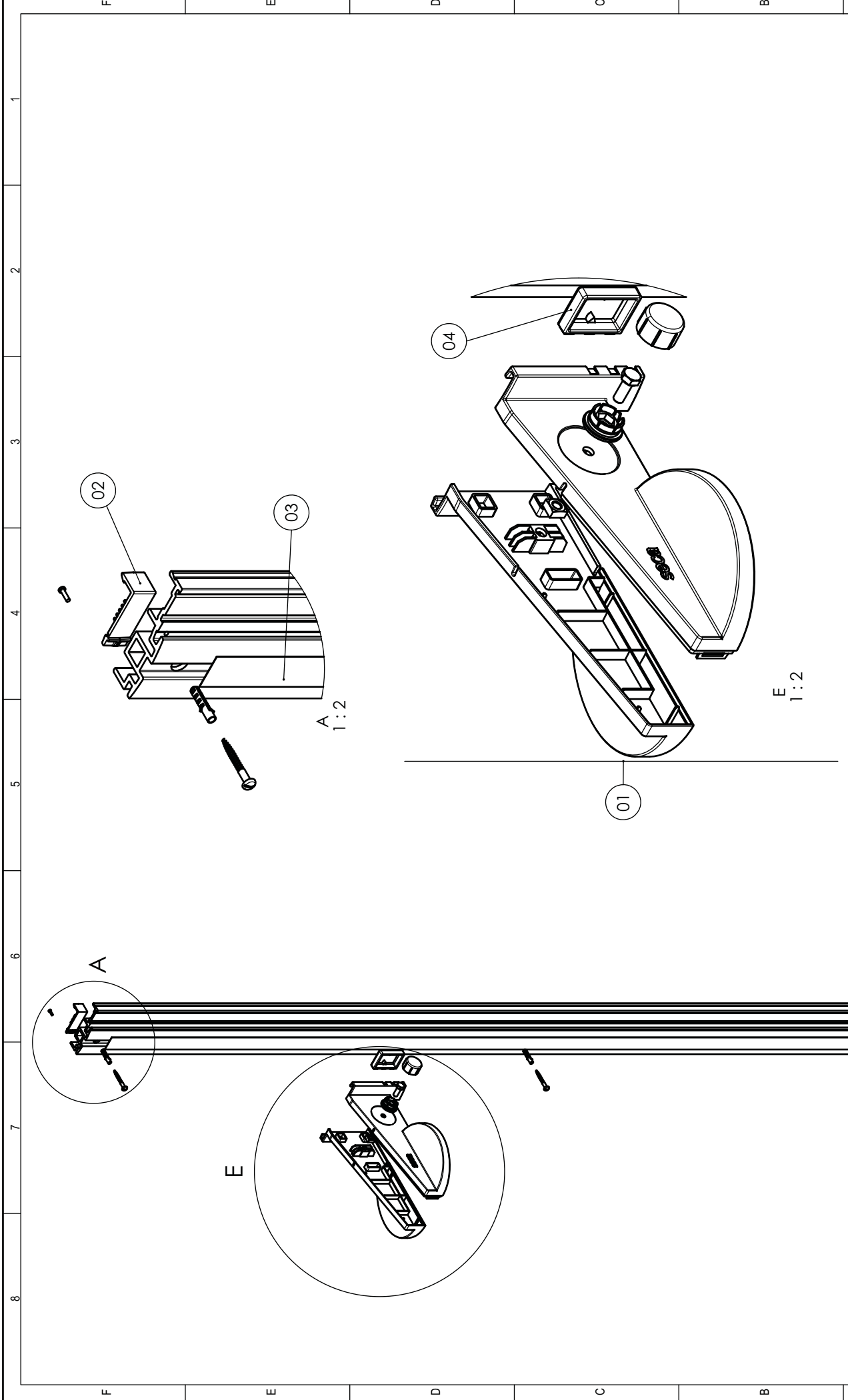


Spare parts 216 18 14 009

updated 10.10 valid to SN:

acc. to drawing 30-19-17-257

| Pos. | Article | Name of item | Price-stage |
|-------------|------------------|----------------------|--------------------|
| 1 | 19-17-02-017-009 | Slide unit complete | 25 |
| 2 | 19-17-03-236-009 | Clamp | 01 |
| 3 | 19-17-04-226-009 | Slide scale 0-230 cm | 15 |
| 4 | 19-17-02-237-009 | Double pointer | 05 |
| | 18-01-01-623-009 | Carton | 10 |



| | | | | |
|--------------------------------------|-----------------------|-----------------------|--|--|
| Datum/Name: Änd./Mittel./ CHANGE: | Ersellt / DRAWN | Gepf. / APPROVED Ver. | PROJECTION | |
| Index / REVISION: | 18.10.2010 | | Reithold | |
| seca HAMBURG | Benennung / TITLE: | | Ersatzteilzeichnung Mod. 216 Spare parts drawing Mod. 216 | |
| Maßstab / SCALE: | Werkstoff / MATERIAL: | | Nr. / NO.: | |
| 1:20 | | | 30-19-17-257 Blatt/SHEET 1/1 | |

Spare parts 217 17 21009

updated 10.10 valid to SN:

acc. to drawing 30-19-17-258

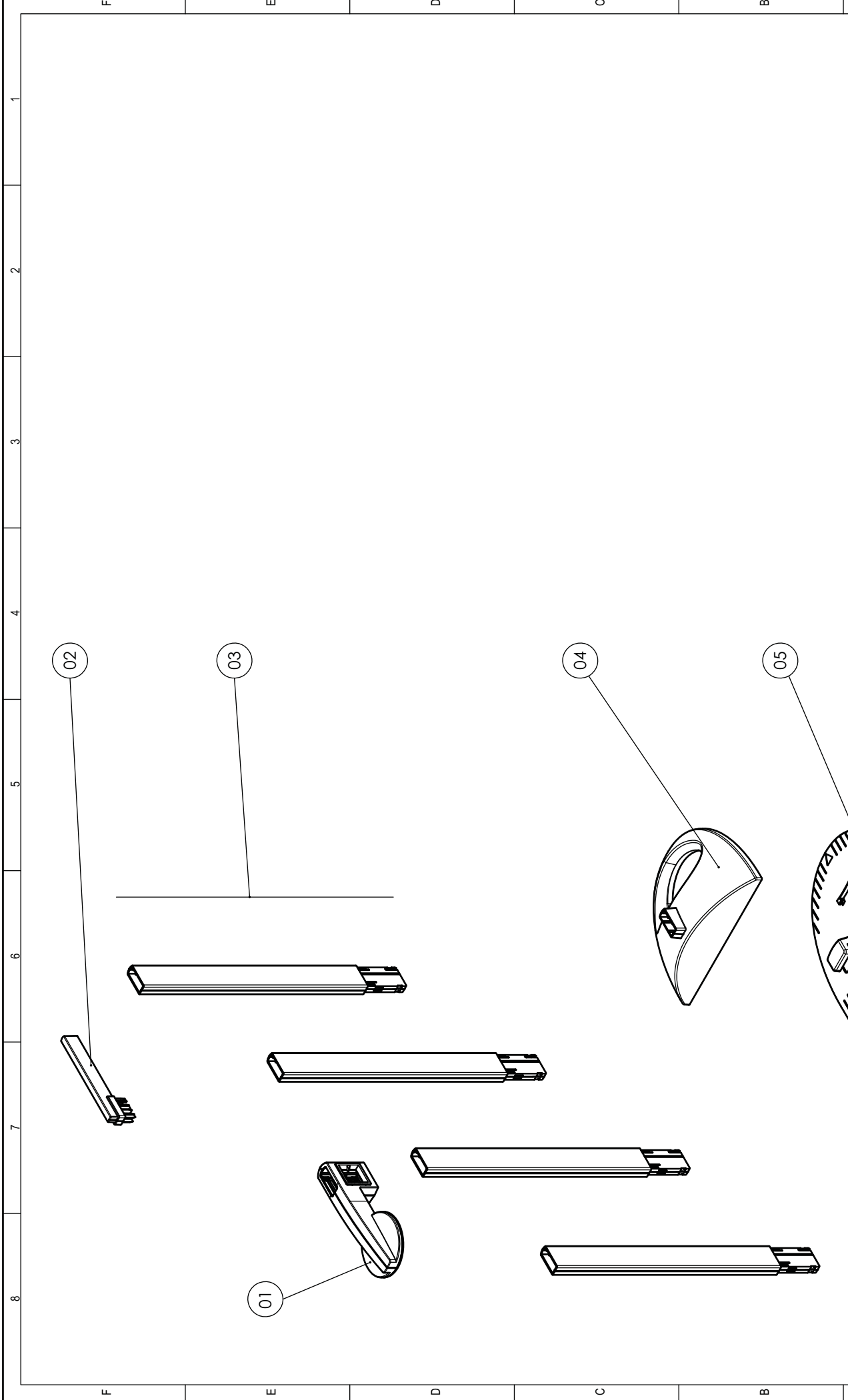
| Pos. | Article | Name of item | Price-stage |
|-------------|------------------|--------------------------------------|--------------------|
| 1 | 19-17-02-016-509 | Slide unit complete | 25 |
| 2 | 19-17-03-036-009 | Spacer complete | 12 |
| 3 | 19-17-01-065-509 | Measuring rod compl. cm (4 elements) | 30 |
| 4 | 19-17-05-014-509 | Base mod. 217 | 28 |
| 5 | 19-17-05-223-009 | Treat mod. 217 | 15 |
| | 01-13-05-468-009 | Rubber foot Mod. 217 | 01 |
| | 18-01-01-687-009 | Carton | 06 |

Spare parts 217 18 21009

updated 10.10 valid to SN:

acc to drawing 30-19-17-258

| Pos. | Article | Name of item | Price-stage |
|-------------|------------------|---|--------------------|
| 1 | 19-17-02-016-509 | Slide unit complete | 25 |
| 2 | 19-17-03-036-009 | Spacer complete | 12 |
| 3 | 19-17-01-066-509 | Measuring rod compl. cm/inch (4 elements) | 30 |
| 4 | 19-17-05-014-509 | Base mod. 217 | 28 |
| 5 | 19-17-05-223-009 | Treat mod. 217 | 15 |
| | 01-13-05-468-009 | Rubber foot Mod. 217 | 01 |
| | 18-01-01-687-009 | Carton | 06 |



| | | | | | |
|--|--|--|--|----------------|--|
| Datum/Name: Änd./Mittel. / CHANGE: Index / REVISION: | | Ersellt / DRAWN Geprüft / APPROVED Ver. 19.10.2010 Reithold | | PROJECTION | |
| seca HAMBURG | | Benennung / TITLE: Ersatzteilzeichnung Mod. 217 Spare parts drawing mod. 217 | | | |
| Maßstab / SCALE: 1:6.5 | | Werkstoff / MATERIAL: | | | |
| Nr. / NO.: | | 30-19-17-258 | | | |
| | | Blatt/SHEET 1/1 | | | |

ALL RIGHTS CONCERNING THIS DOCUMENT AND ITS CONTENTS RESERVED. Alle Rechte an und aus diesen Unterlagen verbleiben **seca gmbh. & co. kg.**